

WC SERIES Cutting Pump Non-clogging Sewage Submersible Pump

WC CUTTING SERIES SEWAGE SUBMERSIBLE PUMPS

-  Reliable Quality
-  Strong Suction
-  100% Copper Wire Motor

-  Vortex impeller
-  Strong cutter ring



PRODUCT FEATURES



Epoxy Cable Base

An epoxy resin seal cable base prevents moisture from entering the motor through the core wires.



Nice precision cast iron

from 3Kw use 3pcs heavy duty bearing



Auto-cut motor protector

Auto-cut thermal protector the Auto-cut protector will be activated and cut the power off automatically if motor run in abnormal electric and excess .

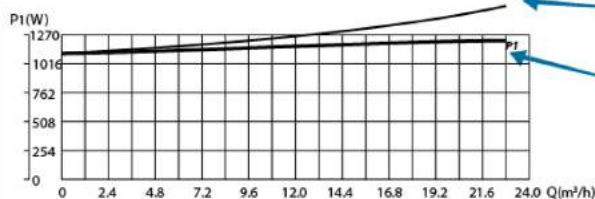
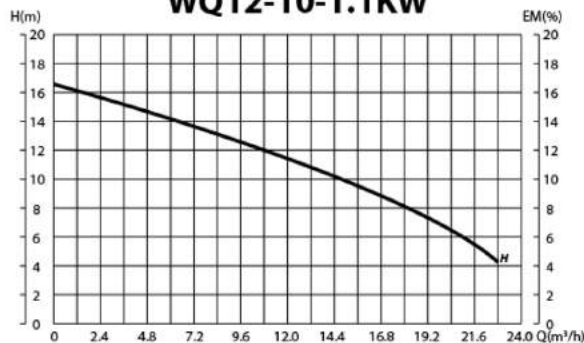


Mechanical Seal

A double mechanical seal consists of two seals arranged in a series. Superior abrasion resistant mechanical seal manufactured with silicon carbide to ensure the best seal effect.

WC SERIES CUTTING PUMP CURVE

WQ12-10-1.1KW



Vortex impeller



Strong cutter

Cutter Impeller With Cutter Ring

- the impeller with non clogging design with design right
- material for the impeller and cutter ring,high-chromium stainless steel 420 and the hardness is HRC49-52 provide good wearing resistance.

Normal sewage pump the power need very big when use the big flow point.and motor will be heating and burn broken

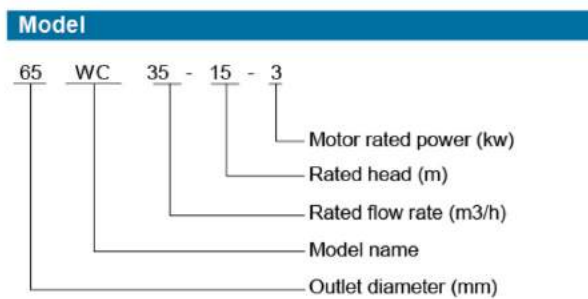
OLBIN WC pump can use every point flowrate.and power is almost one level,motor temperature is almost same level.

WC SERIES Cutting Pump Non-clogging Sewage Submersible Pump



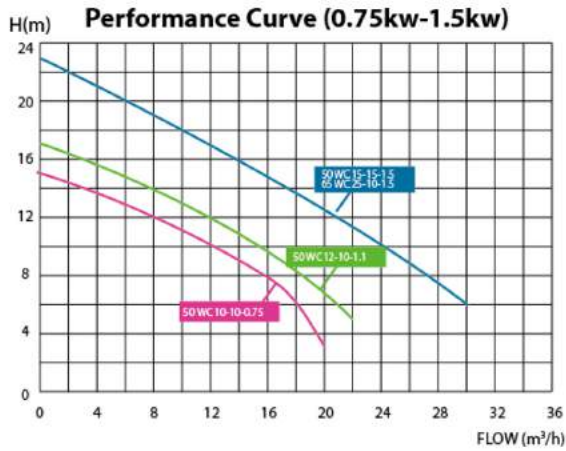
SPECIFICATIONS

Item	Description
Limits of Use	Liquid Temp. 0~40°C (32~104°F)
	Applications residential wastewater sewage
	Frequency 50Hz
	Motor 2P(2900Rpm) • Dry motor
	Insulation Class B (ClassF is option)
Type	Protection IP68
	Protector Auto-cut thermal protector for single phase (three phase without)
	Bearing Ball type
	mechanical seal Double M.seals
	Impeller Vortex



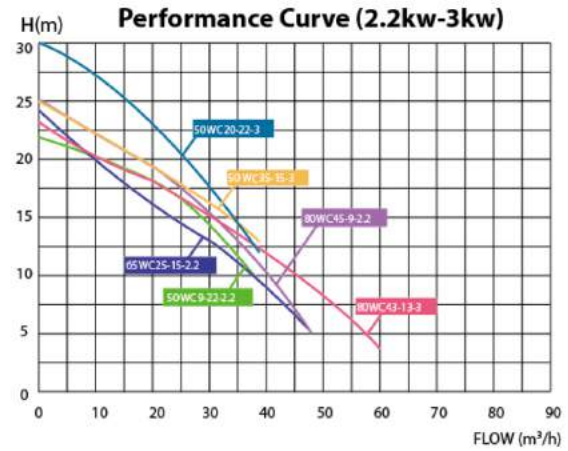
WC SERIES Cutting Pump Non-clogging Sewage Submersible Pump

PERFORMANCE CURVE



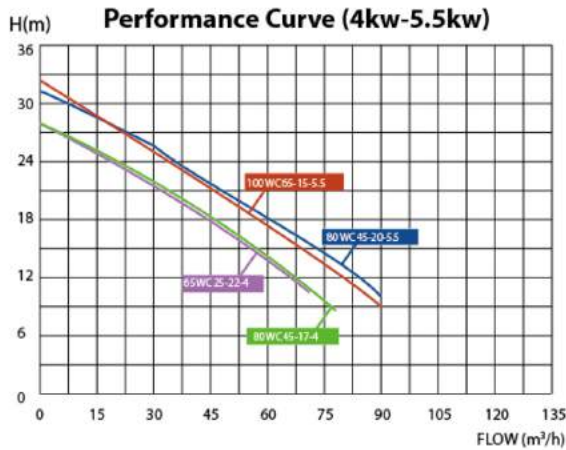
Performance Table (0.75kw-1.5kw)

Model	Driving motor P2(kw)		Q(m³/h)										
	Kw	Hp	0	4	8	12	16	20	22	28	30	H(m)	
50WC10-10-0.75	0.8	1	0	67	133	200	267	333	367	467	500		
50WC12-10-1.1	1.1	1.5	15	14	12	10	8	3					
50WC15-15-1.5	1.5	2	17	15	14	12	10	6.5	5				
65WC25-10-1.5	1.5	2	23	21	19	17	15	13	12	7	6		



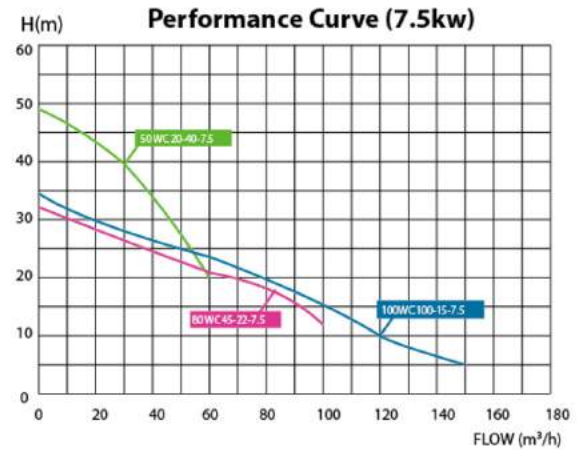
Performance Table (2.2kw-3kw)

Model	Driving motor P2(kw)		Q(m³/h)														
	Kw	Hp	0	167	333	500	633	783	1000	1167	1333	1500	H(m)				
50WC9-22-2.2	2.2	3	22	20	18	14	10										
65WC25-15-2.2	2.2	3	24	20	16	13	10	5.5									
80WC45-9-2.2	2.2	3	25	22	19	15	11	5									
50WC20-22-3	3	4	32	27	23	17	13										
50WC35-15-3	3	4	25	22	19	16	13										
80WC43-13-3	3	4	23	20	18	15	13	9	3.5								



Performance Table (4kw-7.5kw)

Model	Driving motor P2(kw)		Q(m³/h)														
	Kw	Hp	0	10	20	30	38	47	60	70	76	90	100	107	120	150	
65WC25-22-4	4	5.5	0	167	333	500	633	783	1000	1167	1267	1500	1667	1783			
80WC45-17-4	4	5.5	28	26	24	22	19	17	14	10							
80WC45-20-5.5	5.5	7.5	28	26	23	21	19	17	14	10	8.5						
100WC65-15-5.5	5.5	7.5	31	29	27	26	23	21	18	16	14	10					
50WC20-40-7.5	7.5	10	32	29	26	25	22	20	18	15	13	9		3			
80WC45-22-7.5	7.5	10	49	46	44	40	35	29	20								
100WC100-15-7.5	7.5	10	32	30	28	26	25	23	21	20	18	16	12				
100WC100-15-7.5	7.5	10	34	31	29	28	26	25	23	21	20	17	15		10	5	

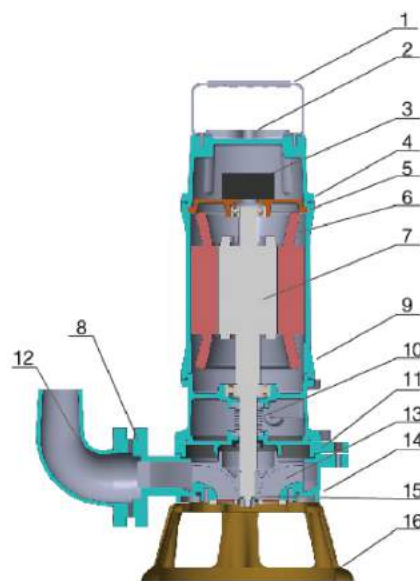


WC SERIES Cutting Pump Non-clogging Sewage Submersible Pump

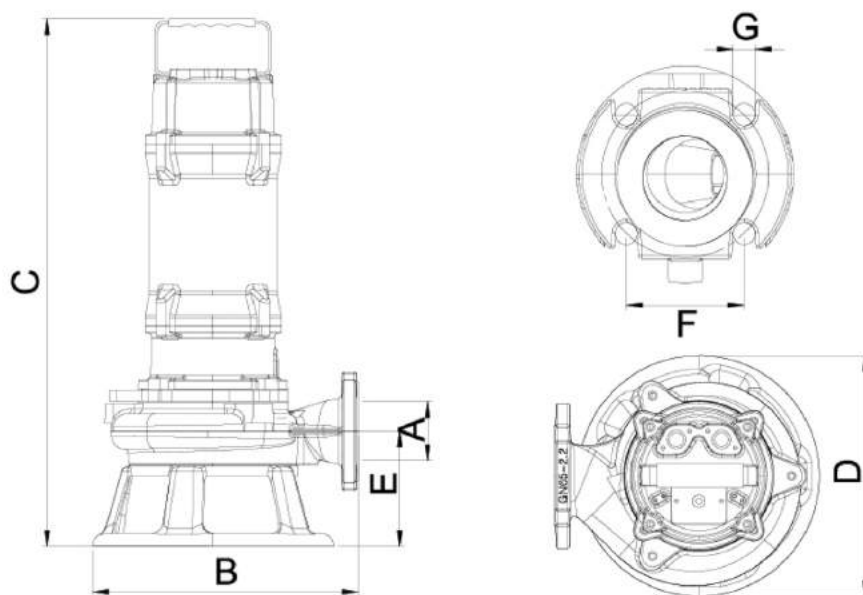
PUMP SPECIFICATION TABLE

Pole	Model	Output HP(kW)	Discharge Inch(mm)	Phase Ø	Start	Standard		Solid Passage mm(inch) without cutter ring
						m-m ³ /hr	ft-GPM	
2P	50WC10-10-0.75	1(0.75)	2" (50)	1 3	direct	10-10	32.8-36.7	20(0.8)
	50WC12-10-1.1	1.5(1.1)	2" (50)	1 3	direct	10-12	32.8-44	20(0.8)
	50WC15-15-1.5	2 (1.5)	2" (50)	1 3	direct	15-15	49.2-55	20(0.8)
	65WC25-10-1.5	2 (1.5)	2.5" (65)	3	direct	10-25	32.8-91.7	26(1)
	50WC9-22-2.2	3 (2.2)	2" (50)	3	direct	22-9	72.2-33	20(0.8)
	65WC25-15-2.2	3 (2.2)	2.5" (65)	3	direct	15-25	49.2-91.7	26(1)
	80WC45-9-2.2	3 (2.2)	3" (80)	3	direct	9-45	29.5-165	32(1.25)
	50WC20-22-3	4 (3)	2" (50)	3	direct	22-20	72.9-73.3	20(0.8)
	65WC35-15-3	4 (3)	2.5" (65)	3	direct	15-35	49.2-128.3	26(1)
	80WC43-13-3	4 (3)	3" (80)	3	direct	13-43	42.7-157.7	32(1.25)
	65WC25-22-4	5.5(4)	2.5" (65)	3	direct	22-25	72.2-91.7	26(1)
	80WC45-17-4 (High efficiency Edition)	5.5(4)	3" (80)	3	direct	17-45	55.8-165	32(1.25)
	80WC30-25-4	5.5(4)	3" (80)	3	direct	25-30	82-110	32(1.25)
	80WC45-20-5.5	7.5(5.5)	3" (80)	3	direct	20-45	65.6-165	32(1.25)
	100WC65-15-5.5	7.5(5.5)	4" (100)	3	direct	15-65	49.2-238.3	40(1.5)
	50WC20-40-7.5	10(7.5)	2" (50)	3	direct	40-20	131.2-73.3	20(0.8)
	80WC45-25-7.5	10(7.5)	3" (80)	3	direct	25-45	82-165	32(1.25)
	100WC100-15-7.5	10(7.5)	4" (100)	3	direct	15-100	49.2-366.7	40(1.5)

1	Handle	9	Motor body
2	Cable	10	Mechanical seal
3	capacitor	11	Screw
4	Cap	12	Elbow
5	Thermal protector	13	impeller
6	stator	14	Pump body
7	rotor	15	Cutter ring
8	outlet	16	Base



WC SERIES Cutting Pump Non-clogging Sewage Submersible Pump



PUMP SIZE TABLE

Model	Weight (kg)(lb)		Dimensions (mm)						
	1Ø	3Ø	A	B	C	D	E	F	G
50WC10-10-0.75	23.55(51.92)		40	205	430	175	74	110	15
50WC12-10-1.1	23.7(52.2)		40	205	430	175	74	110	15
50WC15-15-1.5	37.25(82.1)		50	250	568	240	117	110	15
65WC25-10-1.5	-	36.1(79.6)	50	250	568	240	117	110	15
50WC9-22-2.2	-	40.1(88.4)	65	295	585	265	127	130	15
65WC25-15-2.2	-	41.4(91.3)	65	295	585	265	127	130	15
80WC45-9-2.2	-	43.4(95.7)	65	295	585	265	127	130	15
50WC20-22-3	-	45.8(101)	50	280	575	240	123	110	15
65WC35-15-3	-	46.6(102.7)	50	280	575	240	123	110	15
80WC43-13-3	-	47.4(104.5)	50	280	575	240	123	110	15
65WC25-22-4	-	52.2(115.1)	65	315	590	265	127	130	15
80WC45-17-4 (High efficiency Edition)	-	52.9(116.6)	65	315	590	265	127	130	15
80WC30-25-4	-	53.5(117.9)	65	315	590	265	127	130	15
80WC45-20-5.5	-	62.15(137)	80	325	650	268	131	160	18
100WC65-15-5.5	-	63.6(140.2)	80	325	650	268	131	160	18
50WC20-40-7.5	-	70.8(156.1)	80	335	660	285	137	160	18
80WC45-25-7.5	-	72(158.7)	80	335	660	285	137	160	18
100WC100-15-7.5	-	73.5(162)	80	335	660	285	137	160	18



WC SERIES Cutting Pump Non-clogging Sewage Submersible Pump



PRODUCT FEATURES



Vortex impeller



Strong cutter

Cutter Impeller With Cutter Ring

1. the impeller with non clogging design.
2. material for the impeller and cutter ring: high-chromium stainless steel 420 and the hardness is HRC49-52 provide good wearing resistance.



Heavy duty bearing

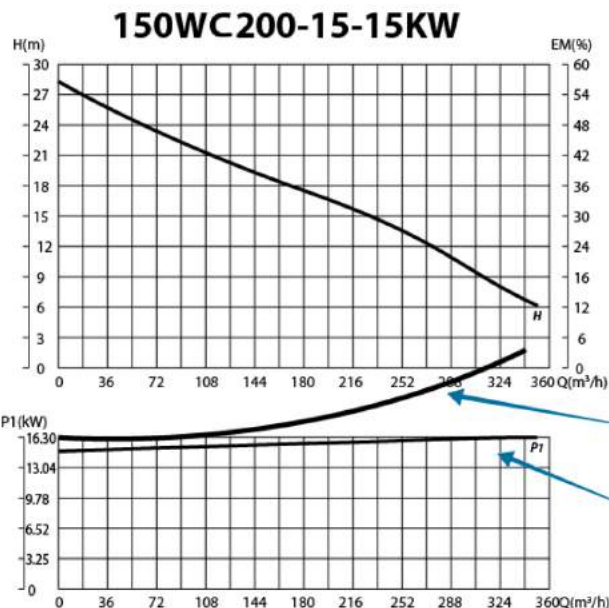
Heavy duty bearing and ss420 shaft



Mechanical Seal

A double mechanical seal consists of two seals arranged in a series. Superior abrasion resistant mechanical seal manufactured with silicon carbide to ensure the best seal effect.

WC SERIES CUTTING PUMP CURVE



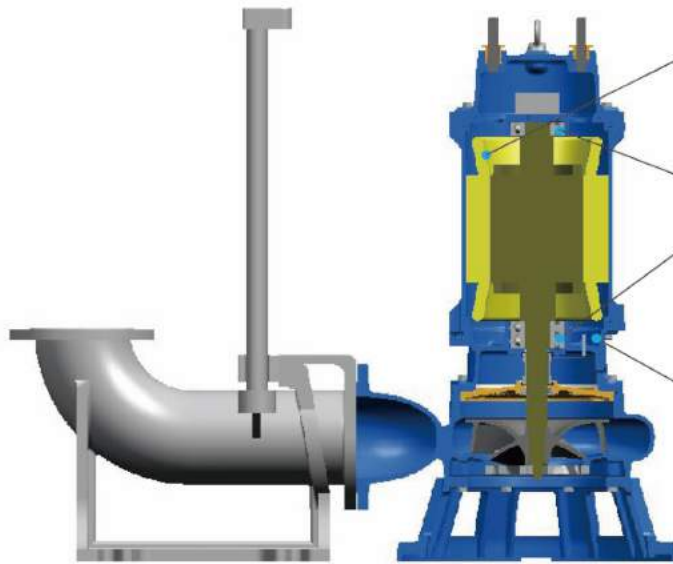
Normal sewage pump the power need very big when use the big flow point and motor will be heating and burn broken

OLBIN WC pump can use every point flowrate and power is almost one level motor temperature is almost same level.

WC SERIES Cutting Pump Non-clogging Sewage Submersible Pump

Characteristic

- 1.Vortex semi-open impeller insure through big solid size
- 2.material for the cutter and cutter ring: high-chromium stainless steel 420 and the hardness isHRC49-52 provide good wearing resistance.



Motor Thermal Sensor(MTS)

MTS is a bimetal type motor protector, which is embedded in each phase of stator winding. When overheat is detected, the sensor (in winding) will trip and the rely switch (in control box) will cut off the power supply of pump. (MTS is a regular component of pump, 15HP and above).



Bearing Temperature Sensor(BTS)

The BTS is a temperature sensor which is installed in the stationary of bearing. The BTS has to be connected to "indicator of temperature control" in control box. When the bearing temperature exceed the pre-setting temperature of "indicator of temperature control"; the rely switch will cut off the power supply of pump. (BTS is an optional component of pump model).



Moisture Sensor (MS)

MS is an electrode sensor of water intrusion in all chamber. When water leakage is detected, the rely switch (in control box) will cut off the power supply of pump. (MS is a regular component of pump, 15HP and above). Thus, the damaged mechanical seal and lubricant can be replaced before water leakage occurs in motor housing. (MS is a regular component of pump, 15HP and above).



PRODUCT NOMENCLATURE

100	WC	60	24	11
Outlet Size(mm)	Pump Type	Rated Flow	Rated head	Power

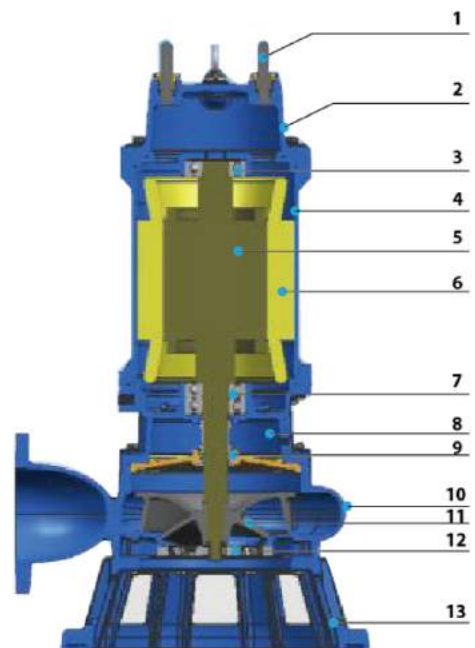
APPLICATIONS:

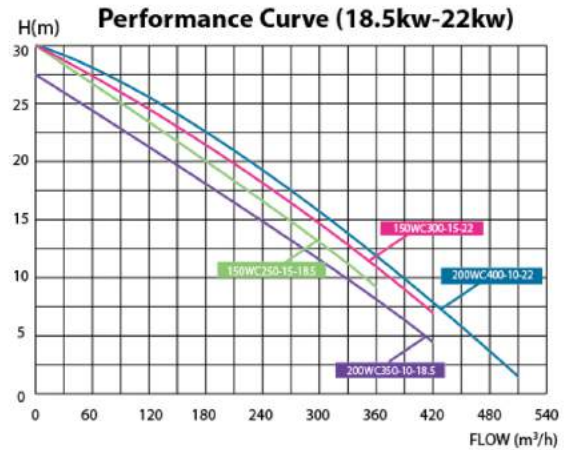
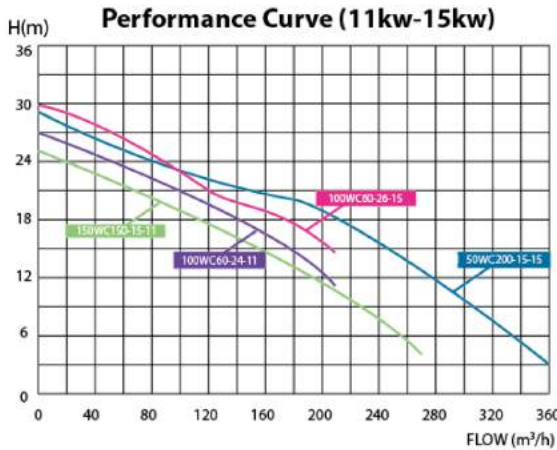
- Drainage of wastewater in river ,waste water athreatment factory.
- Commercial building ,industrial area and amusement place drainage.
- School ,hospital ,government building and park drainage.
- Chicken farm,cow farm, pig farm ,fish farm ,slaughterhouse drainage.

SPECIFICATIONS

Item	Description
Limits of Use	Liquid Temp. 0~40°C (32~104°F)
	Applications wastewater sewage
	Frequency 50Hz
Type	Motor 4P(1450Rpm) • Dry motor
	Insulation Class F
	Protection IP68
	Protector Thermal protect for motor ,bearing ,moisture sensor. (other protector in control box)
	Bearing Ball type
	mechanical seal Double M.seals
	Impeller Vortex non-clogging cutter impeller

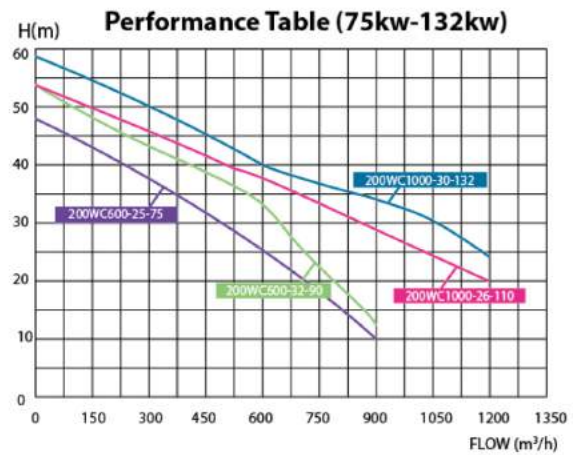
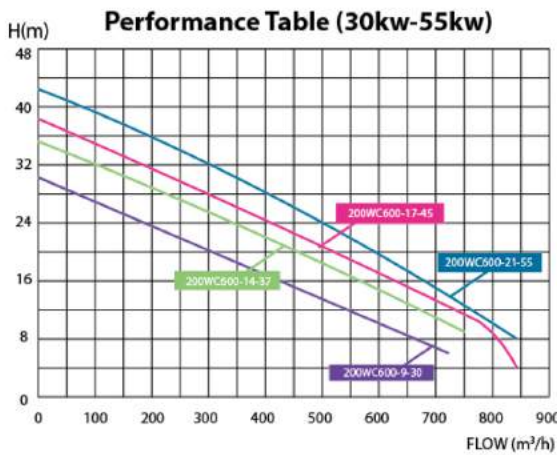
1	Cable	8	lubricant
2	motor upper cover	9	Mechanical seal
3	bearing	10	pump casing
4	motor frame	11	impeller
5	motor rotor	12	cutter ring
6	motor stator	13	base
7	bearing		





Performance Table (11kw-22kw)

Model	Driving motor P2(kw)		Q(m³/h)	Flow (m³/h)															
	Kw	Hp		0	30	60	90	120	180	210	240	270	300	330	360	420	480	510	
100WC60-24-11	11	15	H(m)	27	25.9	24	21.9	19	15.5	11									
150WC150-15-11	11	15		25.5	23	21.5	17	17	13.5	9.5	8	4							
100WC60-26-15	15	20		30	29	26	23	21	18	14.5									
150WC200-15-15	15	20		29	27.5	26	23	22	20	17	15	12	10	7	3				
150WC250-15-18.5	18.5	25	H(m)	30	28	26	25	23.5	19.5	17	16	15	13	12	9				
200WC350-10-18.5	18.5	25		27.5	26	24	23	22	18	16	15	14	12	11	9.2	4			
150WC300-15-22	22	30		31	30	27.5	26	25	21	19	17.5	16	15	13	11.9	6.9			
200WC400-10-22	22	30		30	29	27.8	26.5	25.5	21.5	19	18	17	15.5	14	12	7	3	1.8	



Performance Table (30kw-132kw)

Model	Power		Q(m³/h)	Flow (m³/h)													
	Kw	Hp		0	120	240	360	480	600	720	840	900	1020	1200			
200WC600-9-30	30	40	H(m)	30	26	22	18	14	11	6							
200WC600-14-37	37	50		35.5	31.5	27	22.5	18	14.5	9							
200WC600-17-45	45	60		38.5	34.5	30	26	22	18	11.5	4						
200WC600-21-55	55	75		42.5	38	34	30	26	22	15.5	8						
200WC600-25-75	75	100		48	44	39	35	30	26	20	12.5	10					
200WC600-32-90	90	125		54	50	46	42	37.5	34	25	16	12					
200WC1000-26-110	110	150		54	50.5	47	44	40.5	38	34	30	29	25.5	20			
200WC1000-30-132	132	175		58	55.5	52	49	45.5	40	38	35	33	30	24			

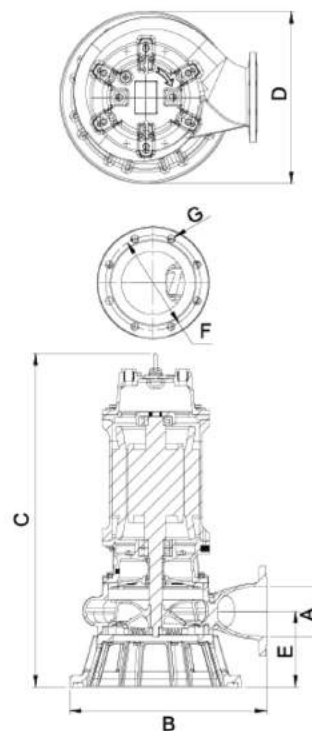
WC SERIES Cutting Pump Non-clogging Sewage Submersible Pump

PUMP SPECIFICATION TABLE

Pole	Model	Output HP(kW)	Discharge Inch(mm)	Phase Ø	Start	Standard		Solid Passage mm(inch) without cutter ring
						m-m ³ /hr	ft-GPM	
4P	100WC60-24-11	15(11)	4" (100)	3	direct/delta	25-80	82-293	40(1.5)
	150WC150-15-11	15(11)	6" (150)	3	direct/delta	15-150	49-550	60(2.5)
	100WC60-26-15	20(15)	4" (100)	3	direct/delta	30-80	98-293	40(1.5)
	150WC200-15-15	20(15)	6" (150)	3	direct/delta	15-200	49-733	60(2.5)
	150WC250-15-18.5	25 (18.5)	6" (150)	3	direct/delta	15-250	49-917	60(2.5)
	200WC350-12-18.5	25 (18.5)	8" (200)	3	direct/delta	12-350	39-1283	80(3)
	150WC200-22-22	30 (22)	6" (150)	3	direct/delta	22-200	29.5-733	60(2.5)
	200WC400-10-22	30 (22)	8" (200)	3	direct/delta	10-400	33-1466	80(3)
	200WC600-9-30	41 (30)	8" (200)	3	direct/delta	9-600	30-2199	80(3)
	200WC600-12-37	50 (37)	8" (200)	3	direct/delta	12-600	39-2199	80(3)
	200WC600-15-45	61 (45)	8" (200)	3	direct/delta	15-600	49-2199	80(3)
	200WC600-20-55	75(55)	8" (200)	3	direct/delta	20-600	66-2199	80(3)
	200WC600-25-75	102(75)	8" (200)	3	direct/delta	25-600	82-2199	80(3)
	200WC600-30-90	122(90)	8" (200)	3	direct/delta	30-600	98-2199	80(3)
	200WC1000-25-100	136(100)	8" (200)	3	direct/delta	25-1000	82-3666	80(3)
200WC1000-30-132	180(132)	8" (200)	3	direct/delta	30-1000	98-3666	80(3)	

PUMP DIMENSION TABLE

Model	A(mm)	B(mm)	C(mm)	D(mm)	E(mm)	F(mm)	G(mm)	N(kg)
100WC60-24-11	100	578	1038	475	240	170	18	219
150WC150-15-11	150	588	988	510	225	225	18	226
100WC60-26-15	100	578	1038	475	240	170	18	233
150WC200-15-15	150	588	1018	510	225	225	18	241
150WC250-15-18.5	150	618	1080	510	235	225	18	325
200WC350-12-18.5	200	618	1135	520	265	295	22	334
150WC200-22-22	150	618	1080	510	235	225	18	350
200WC400-10-22	200	618	1135	520	265	295	22	359
200WC600-9-30	200	730	1240	620	305	295	22	505
200WC600-12-37	200	730	1240	620	305	295	22	538
200WC600-15-45	200	730	1285	620	305	295	22	554
200WC600-20-55	200	835	1396	735	385	295	22	772
200WC600-25-75	200	835	1461	735	385	295	22	812
200WC600-30-90	200	835	1520	735	385	295	22	1095
200WC1000-25-110	200	835	1580	735	385	295	22	1210
200WC1000-30-132	200	835	1630	735	385	295	22	1350



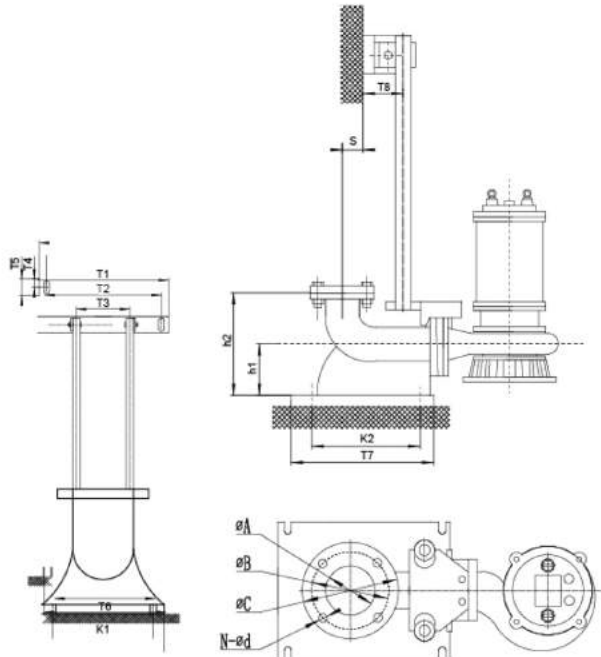
Auto-Coupling



- Fix to the pumps with flange conforming ISO7005-92 standard.
- Sewage pump with standard flanged elbow can connect to this auto-coupling directly.

Supplied with

- Coupling seat
- Coupling adapter
- Upper guide support



Dimensions table

Model	ØA	ØB		ØC	N-Ød	T1	T2	T3	T4	T5	T6	T7	T8	K1	K2	S	h1	h2
		6Kg	10Kg															
DN50	Ø50/G2"	100	125	139	4-Ø14	266	218	104	20.5	41	197	208	79	162	133	54.5	160	250
DN65	Ø65/G2½"	130	145	160	4-Ø14	280	236	126	25	50	228	235	95	186	155	91	166	266
DN80	Ø80/G3"	150	160	190	4-Ø18	318	266	146	26	52	256	235	97	213	155	78	188	306
DN100	Ø100/G4"	170	180	210	4-Ø18	365	306	169	27.5	55	293	258	115	261	176	101	232	350
DN150	Ø150/G6"	225	240	280	8-Ø18	412	260	280	31	62	400	412	118	280	298	191	305	490
DN200	Ø200/G8"	280	295	330	8-Ø18	412	260	280	31	62	398	445	116	298	353	230	325	550
DN250	Ø250/G10"	335	350	400	12-Ø18	412	260	280	31	62	460	560	120	360	430	300	314	630
DN300	Ø300/G12"	395	395	444	12-Ø22	522	344	299	33	66	550	565	115	410	410	285	400	740

Weights & Packing dimensions

Model	N.W	G.W	Packing dimension
	kg	kg	
40-40(PN6)	11	13	340×260×195
50-50(PN6)	17	19.5	350×320×245
65-65(PN6)	24	27	390×270×345
80-80(PN6)	31	34.5	410×290×395
100-100(PN6)	45	50	470×330×475
150-150(PN6)	96	105	700×440×610
150-150(PN10)	95	104	700×440×610
200-200(PN10)	132	142	770×440×650
250-250(PN10)	179	191	900×510×710
300-300(PN10)	230	245	940×570×810

Model	Guide pipe	Foundation bolts		Upper guide support bolts
DN50	1" / Ø33.3×3.5	4-M25	4-M28	2-M13
DN65	1" / Ø33.3×3.5	4-M25	4-M28	2-M13
DN80	1½" / Ø48.3×3.5	4-M38	4-M42	2-M13
DN100	1½" / Ø48.3×3.5	4-M38	4-M42	2-M13
DN150	1½" / Ø48.3×3.5	4-M38	4-M42	2-M15
DN200	1½" / Ø48.3×3.5	4-M25		2-M15
DN250	1½" / Ø48.3×3.5	4-M25		2-M15
DN300	2" / Ø60.3×3.5	4-M25		2-M16